



**Fucoli Somepal**  
FUNDIÇÃO DE FERRO, S.A.

DESDE  
SINCE 1946

# OPERATION MANUAL



## Saddle with Shut-off blade adaptor Series ATC PRO



**Head Office:** Apartado 467 - Coselhas  
3001-906 Coimbra  
PORTUGAL  
Telef. +351239490100  
Fax. +351239490199

**Branch Office:** Apartado 4 - Rua de Aveiro, 50  
3050-903 Pampilhosa  
PORTUGAL  
Telef. +351231947000  
Fax. +351231949292

MO 35  
Edition 01  
October 2015

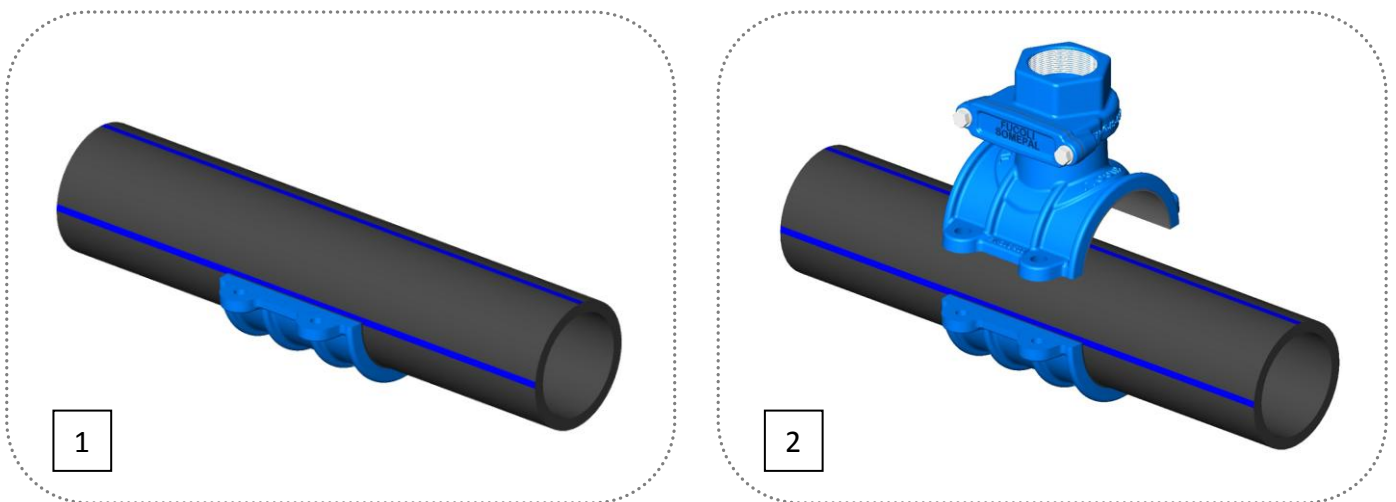
1. DESCRIPTION
2. HANDLING
3. RISK IDENTIFICATION
4. MAINTENANCE

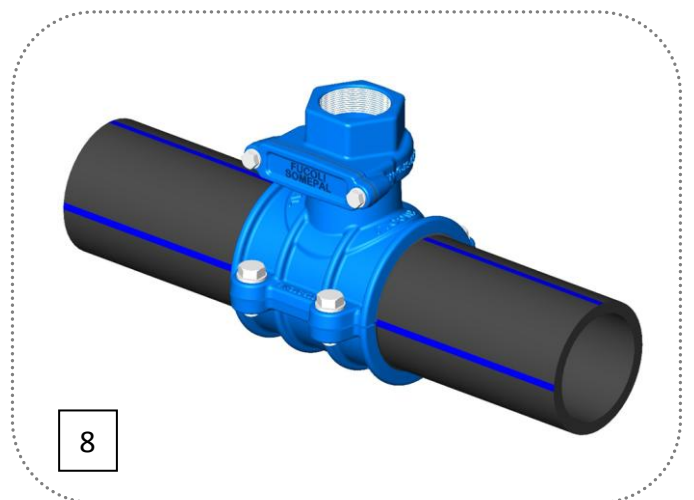
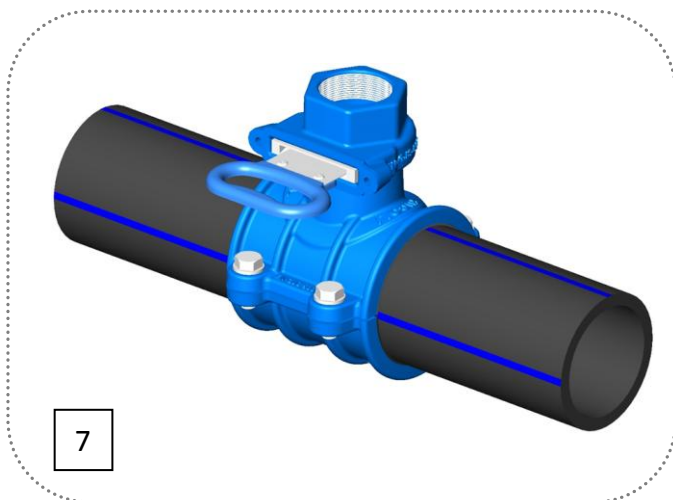
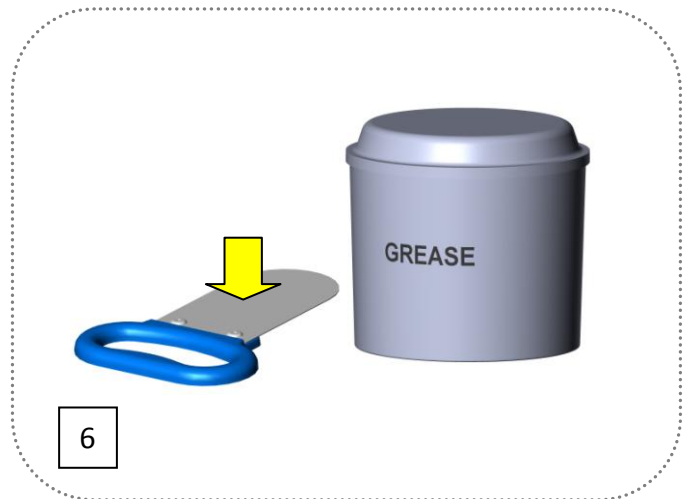
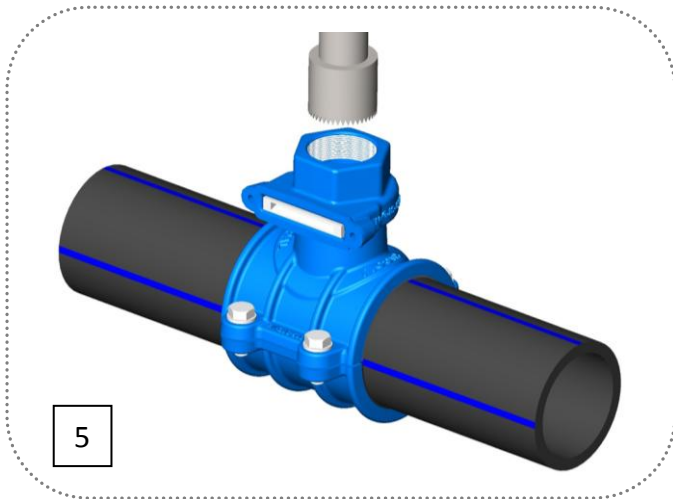
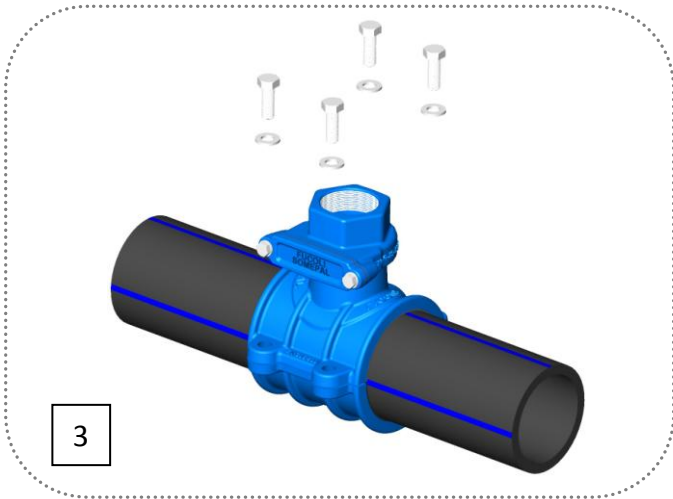
1. DESCRIPTION

Saddle with Shut-off blade adaptor - Series ATC PRO of Fucoli-Somepal, is suitable for use in PVC and PE pipes and is available for DNOD 50 to DNOD 400 and taps in ½" to 2" according to the technical catalog sheets 08.100 and 08.101. They are manufactured in DUCTILE IRON EN-GJS-500-7, screws and washers in stainless steel A2 and epoxy paint potable RESICOAT 9000 R4 BLUE applied electrostatically with thickness  $\geq 250 \mu\text{m}$  for drinking water.

With the Saddle with Shut-off blade adaptor - Series ATC PRO it may be possible to made the perforation in a pipe under pressure, without requiring system interruption, without depressurization of the system and without the occurrence of leaks.

2. HANDLING





## 2.1 Bolts tightening torque

MEASURE	TORQUE OF TIGHTENING (Nm)
50 a 90	20 - 30
110 a 200	25 - 40
250 a 400	40 - 60

## 3. RISK IDENTIFICATION

Throughout its development were not been identified any potential risks for utilization. In sales and post-sales assistance, are not associated or registered any risks in the assembly and operation.

## 4. MAINTENANCE

The Saddle with Shut-off blade adaptor – Series ATC PRO, do not need maintenance actions. During its assembling the blade should be oiled to facilitate their introduction.